

U-DRAINS & U-DRAINS WITH DRY WEATHER FLOW



SCIB CONCRETE MANUFACTURING SDN BHD

Company No: 554888-U

(A Wholly Owned Subsidiary of Sarawak Concrete Industries Berhad
- A Member of Bursa Malaysia Securities Berhad)



MS ISO 9001 REG NO AR 1476
M5 ISO 9001 : 2000

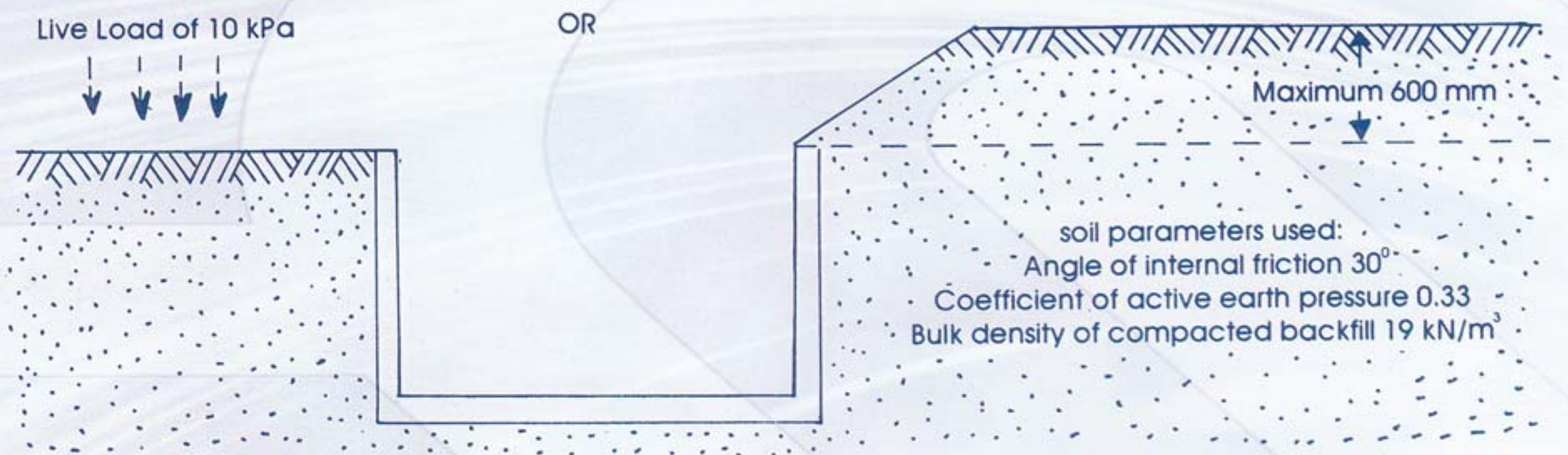
Quality Systems • Works for Quality Assurance
in Production, Installation and Servicing

FEATURES

- SCM U-Drains are available in both Standard sizes (for width $\leq 1800\text{mm}$) and Super size (for widths between 2100mm and 3600mm).
- SCM U-Drains are available both with and without Dry Weather Flow (DWF) channels.
- Easily handled and laid, SCM U-Drains allow for fast construction of waterways/open flow channels using high quality factory cast units with a minimum of wet concrete works.

DESIGN CONSIDERATIONS & SPECIFICATIONS

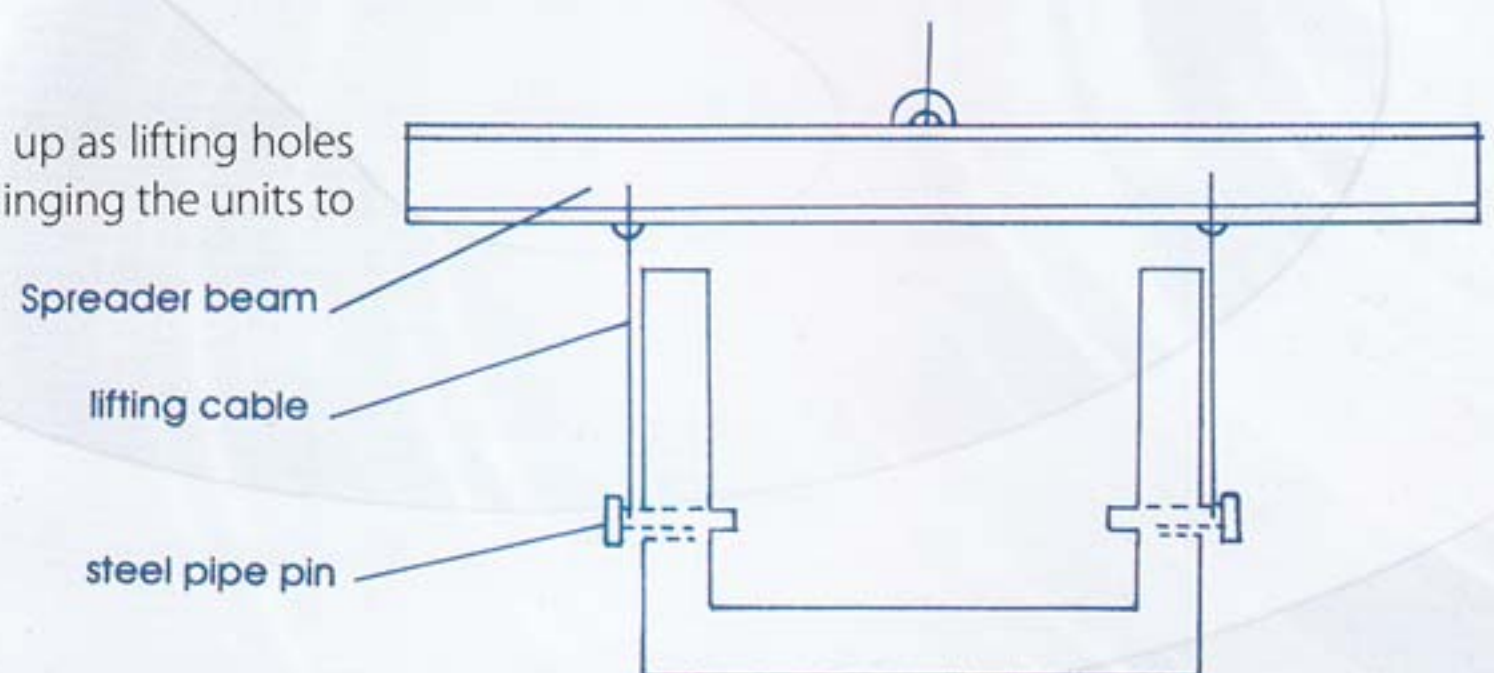
- SCM U-Drains are designed to the requirements of BS 8110 : 1985 with the following concrete cover to reinforcement:
Standard size U-Drains : 25mm cover
Super Size U-Drains : 30mm cover
- SCM U-Drains are made from high strength concrete with a 28 day characteristic strength of 40 MPa.
- SCM U-Drains are designed for the standard load conditions as shown below:



- For other loading conditions or U-Drain sizes not shown in the tables, please contact our Technical Marketing Department for a special design.
- 50mm diameter weepholes are provided for drainage of the retained soil which, when combined with the butt jointed units, prevent the build up of hydrostatic pressures. As such, the design does not take into consideration hydrostatic pressures.

HANDLING

- The weepholes provided in the U-Drains units double up as lifting holes for handling. A spreader beam should be used when slinging the units to avoid crack in the legs (see figure)



JOINTING

- SCM U-Drains are supplied with plain butt joints in standard lengths of 1 metre. Where necessary, cement mortar is normally used to fill the gap between U-Drains unit.

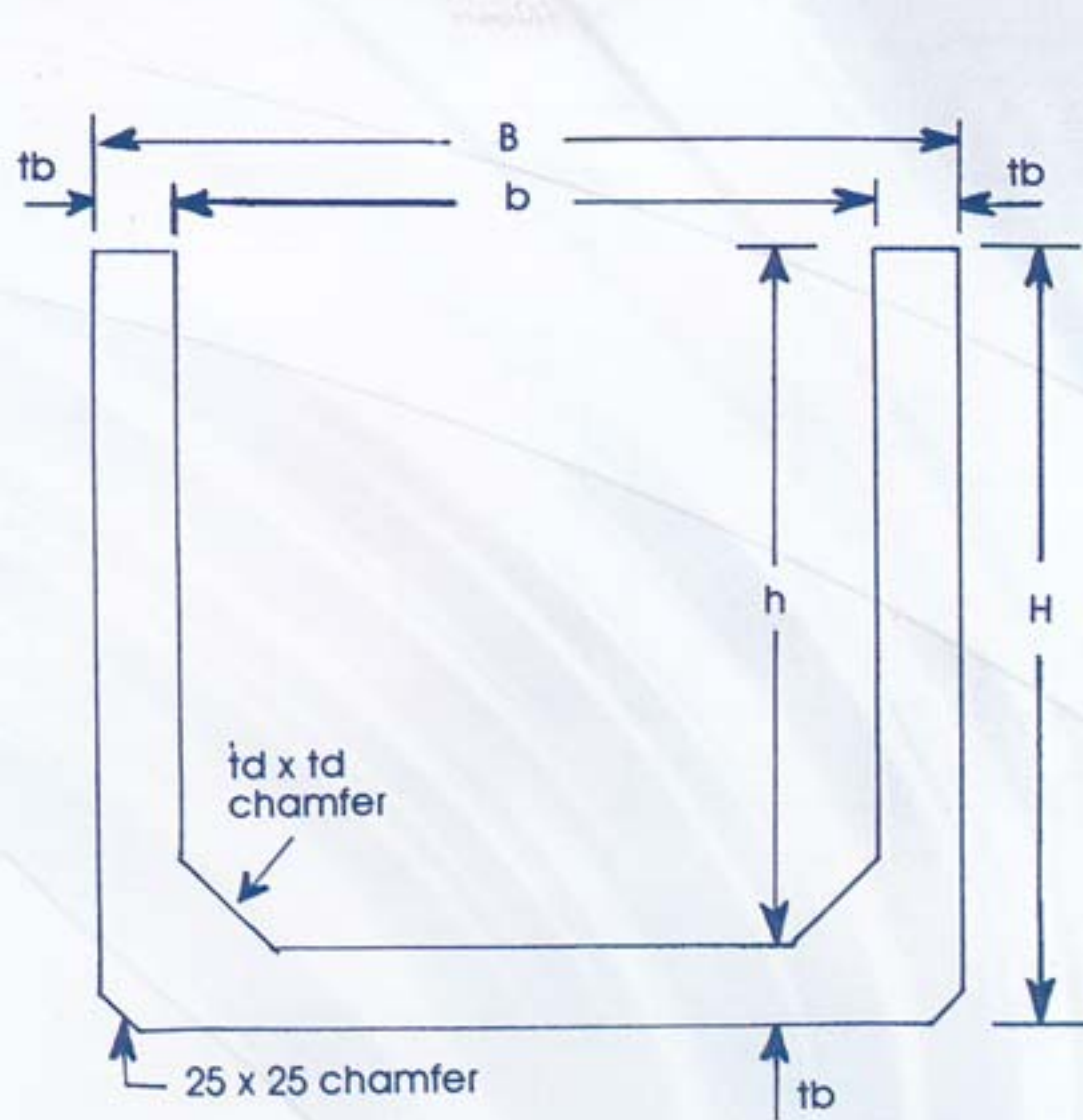
LAYING

- For most installation, SCM U-Drains may be laid on sand bedding. However, in bad ground, it may be necessary to excavate deeper and place a layer of hard core before placing the sand bedding

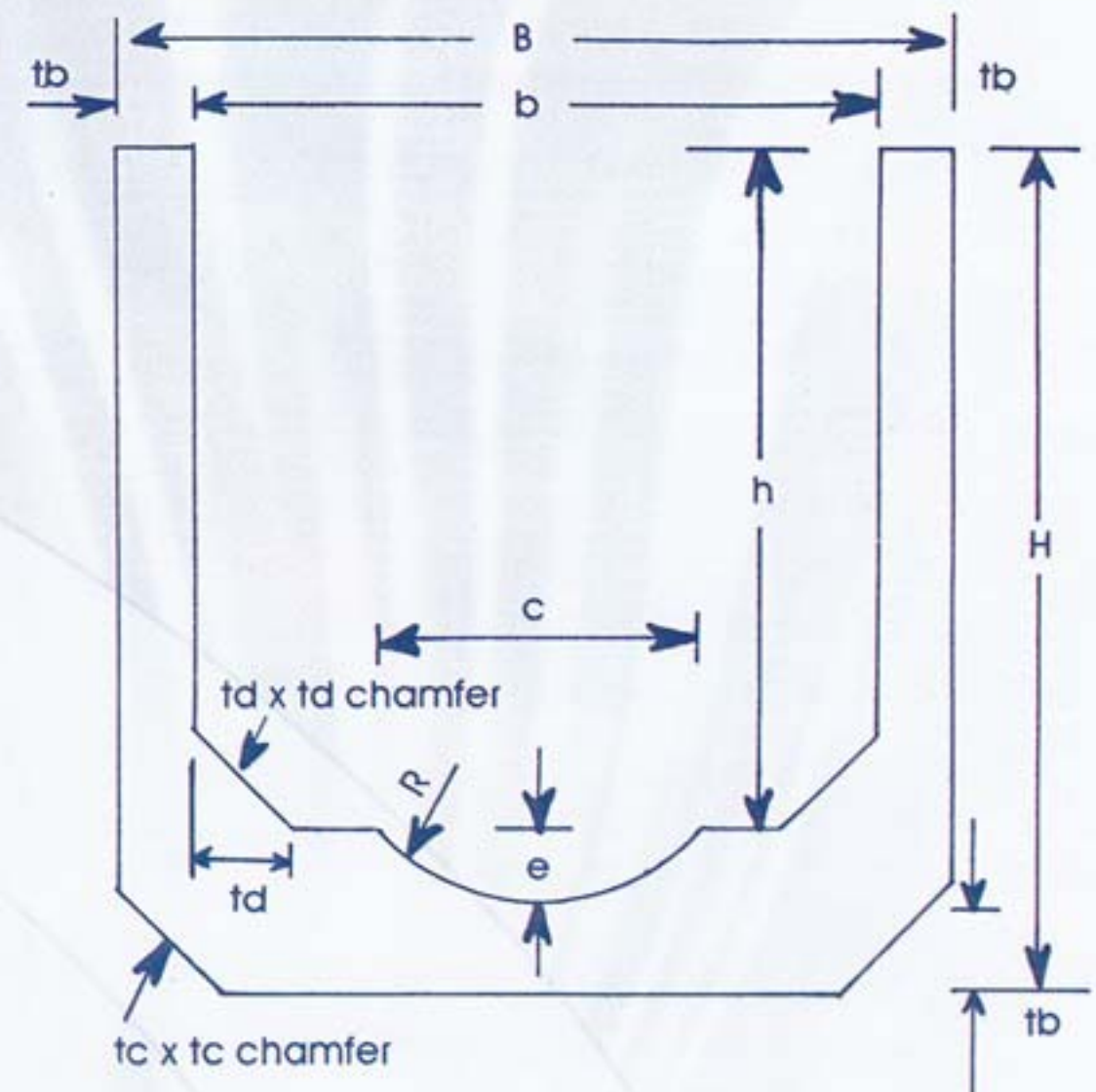
STACKING

- All U-Drains should preferably be stacked uniformly on level ground.

STANDARD SIZE U-DRAINS & U-DRAINS WITH DRY WEATHER FLOW



STANDARD U-DRAIN



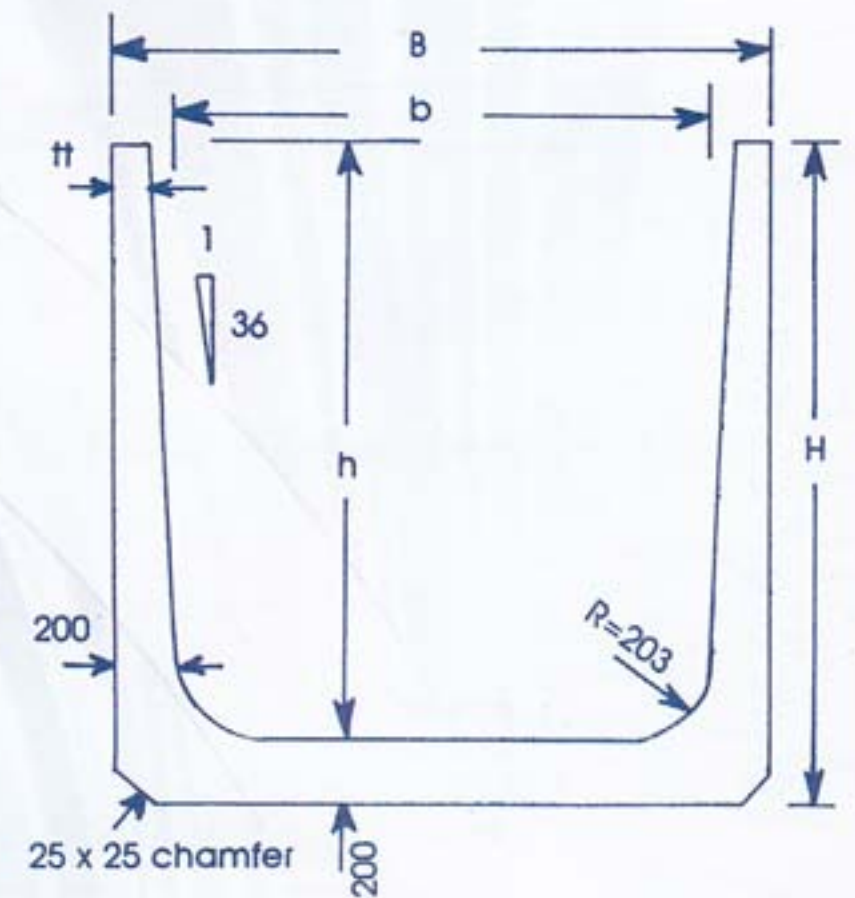
STANDARD U-DRAIN WITH DRY WEATHER FLOW

STANDARD SIZE U-DRAINS DIMENSION & PROPERTIES

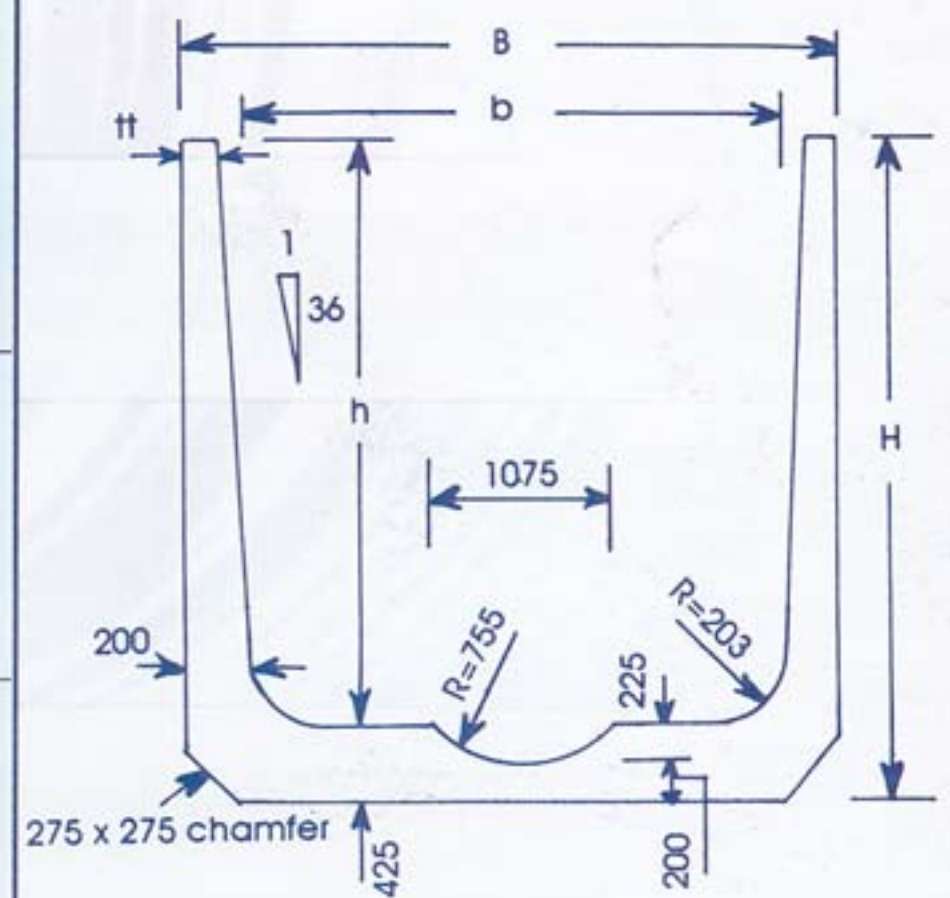
Nominal Size mm x mm	U-Drain					U-Drain with DWF							
	B mm	b mm	h mm	tb mm	td mm	H mm	Wt tonnes	e mm	c mm	R mm	tc mm	H mm	Wt tonnes
600 x 300	740	600	300	70	70	370	0.25	70	300	195	95	440	0.32
600 x 450	740	600	450	70	70	520	0.30	70	300	195	95	590	0.37
600 x 600	740	600	600	70	70	670	0.35	70	300	195	95	740	0.42
750 x 300	910	750	300	80	80	380	0.32	80	450	356	105	460	0.41
750 x 450	910	750	450	80	80	530	0.38	80	450	356	105	610	0.47
750 x 600	910	750	600	80	80	680	0.44	80	450	356	105	760	0.53
750 x 750	910	750	300	80	80	830	0.50	80	450	356	105	910	0.59
900 x 300	1060	900	300	80	80	380	0.35	80	450	356	105	460	0.47
900 x 450	1060	900	450	80	80	530	0.41	80	450	356	105	610	0.53
900 x 600	1060	900	600	80	80	680	0.47	80	450	356	105	760	0.59
900 x 750	1060	900	750	80	80	830	0.52	80	450	356	105	910	0.65
900 x 900	1060	900	900	80	80	980	0.58	80	450	356	105	1060	0.71
1200 x 300	1390	1200	300	95	50	395	0.48	225	1075	755	245	620	0.69
1200 x 450	1390	1200	450	95	50	545	0.55	225	1075	755	245	770	0.76
1200 x 600	1390	1200	600	95	50	695	0.62	225	1075	755	245	920	0.83
1200 x 750	1390	1200	750	95	50	845	0.69	225	1075	755	245	1070	0.90
1200 x 900	1390	1200	900	95	50	995	0.76	225	1075	755	245	1220	0.97
1200 x 1050	1390	1200	1050	95	50	1145	0.83	225	1075	755	245	1370	1.04
1200 x 1200	1390	1200	1200	95	50	1295	0.90	225	1075	755	245	1520	1.12
1500 x 600	1700	1500	600	100	100	700	0.75	225	1075	755	250	925	1.13
1500 x 900	1700	1500	900	100	100	1000	0.89	225	1075	755	250	1235	1.28
1500 x 1200	1700	1500	1200	100	100	1300	1.04	225	1075	755	250	1525	1.42
1500 x 1500	1700	1500	1500	100	100	1600	1.19	225	1075	755	250	1825	1.57
1800 x 600	2030	1800	600	115	115	715	0.96	225	1075	755	250	940	1.52
1800 x 900	2030	1800	900	115	115	1015	1.13	225	1075	755	250	1240	1.69
1800 x 1200	2030	1800	1200	115	115	1315	1.30	225	1075	755	250	1540	1.86
1800 x 1500	2030	1800	1500	115	115	1615	1.47	225	1075	755	250	1840	2.04
1800 x 1800	2030	1800	1800	115	115	1915	1.64	225	1075	755	250	2140	2.21

SUPER SIZE U-DRAINS DIMENSIONS & PROPERTIES

Nominal Size mm x mm	B mm	b mm	h mm	tt mm	U-Drain		U-Drain with DWF	
					H mm	Wt tonnes	H mm	Wt tonnes
2100 x 1200	2534	2134	1200	174	1400	2.41	1625	3.22
2100 x 1500	2534	2134	1500	165	1700	2.65	1925	3.46
2100 x 1800	2534	2134	1800	156	2000	2.88	2225	3.69
2100 x 2100	2534	2134	2100	148	2300	3.10	2525	3.91
2400 x 1200	2838	2438	1200	174	1400	2.56	1625	3.54
2400 x 1500	2838	2438	1500	165	1700	2.80	1925	3.79
2400 x 1800	2838	2438	1800	156	2000	3.03	2225	4.01
2400 x 2100	2838	2438	2100	148	2300	3.25	2525	4.23
2400 x 2400	2838	2438	2400	139	2600	3.45	2825	4.44
2700 x 1500	3143	2743	1500	165	1700	2.95	1925	4.11
2700 x 1800	3143	2743	1800	156	2000	3.18	2225	4.34
2700 x 2100	3143	2743	2100	148	2300	3.40	2525	4.56
2700 x 2400	3143	2743	2400	139	2600	3.60	2825	4.76
2700 x 2700	3143	2743	2700	130	2900	3.79	3125	4.95
3000 x 1500	3448	3048	1500	165	1700	3.10	1925	4.43
3000 x 1800	3448	3048	1800	156	2000	3.33	2225	4.66
3000 x 2100	3448	3048	2100	148	2300	3.55	2525	4.88
3000 x 2400	3448	3048	2400	139	2600	3.76	2825	5.08
3000 x 2700	3448	3048	2700	130	2900	3.95	3125	5.27
3000 x 3000	3448	3048	3000	121	3200	4.12	3425	5.45
3300 x 1800	3753	3353	1800	156	2000	3.48	2225	4.98
3300 x 2100	3753	3353	2100	148	2300	3.70	2525	5.20
3300 x 2400	3753	3353	2400	139	2600	3.91	2825	5.40
3300 x 2700	3753	3353	2700	130	2900	4.10	3125	5.59
3300 x 3000	3753	3353	3000	121	3200	4.27	3425	5.77
3600 x 1800	4058	3658	1800	156	2000	3.64	2225	5.30
3600 x 2100	4058	3658	2100	148	2300	3.86	2525	5.52
3600 x 2400	4058	3658	2400	139	2600	4.06	2825	5.73
3600 x 2700	4058	3658	2700	130	2900	4.25	3125	5.92
3600 x 3000	4058	3658	3000	121	3200	4.42	3425	6.09



SUPER SIZE U-DRAIN



SUPER SIZE U-DRAIN WITH DRY WEATHER FLOW

It is our policy to continuously review and improve products and their design. Information in this leaflet is therefore subject to change without notice.



**SARAWAK
CONCRETE
INDUSTRIES
BERHAD**

**Lot 1258, Jalan Utama, Pending Industrial Estate,
P.O. Box 1354, 93728 Kuching, Sarawak.
Tel: 082-334485
Fax: 082-334484/082-334406**

Your Local Distributor: